



# Freedom

## Model 300

A FREEDOM 300 Tri-Wheeler has an air of excitement for those who want more freedom to do those every day tasks around the home, business or farm.

The FREEDOM 300 opens up a whole new world of opportunities by giving the operator independence, mobility, and reliability, while at the same time allowing you the ability to be self-sufficient. Easy access to the operator platform allows the operator to quickly transition from moving around in the chair to traveling down the street at speeds up to 15 MPH.

This unique FREEDOM 300 is designed to allow you, the operator, to stay in your own wheel chair by easily rolling into the operating platform. After the chair is in the proper position, the hinged ramp is raised becoming the tailgate. Upon reaching your destination, you can easily roll your chair off the entrance/exit ramp. No chair transfer is necessary. You have your own chair with you at all times!



**Gaetano Guzzo, Wooster, Ohio T-5/6**

The FREEDOM 300 has front wheel drive and is powered by an electric start 6.5 horsepower engine. Power is transferred to the hydrostatic transmission which gives the operator smooth forward or reverse control. The forward/reverse lever bar is conveniently located on the steering handlebar.



Large rear pneumatic tires provide a soft ride. Ground clearance varies depending on the height that the rear wheels are attached. The lowest compartment setting gives a 1 to 12 ramp incline for entering and exiting. The higher settings give the compartment more clearance for navigating rougher terrain.

For more information on the FREEDOM 300, please contact Venture Products.



Dealer:



H.E.R.S. Inc.  
1203 South Parker  
Olathe, Kansas 66061  
Phone: 913.764.6718



# Freedom

## Model 300



### Standard Features:

- Easy start electric gasoline engine
- Smooth shifting hydrostatic transmission
- Tilt / adjustable steering bar
- Forward / reverse easily controlled from handlebar
- No transfer – Use of operators own wheel chair for extra comfort
- Soft rear tires for gentler ride
- Hand park brake
- Electric start and Head Light standard

### Optional Accessories:

- Flotation Tires (for the rear)
- Tachometer and Hour Meter
- Gun Rack
- Knobby Tire (Drive)
- Compartment Extension (3")

### Chair Compartment

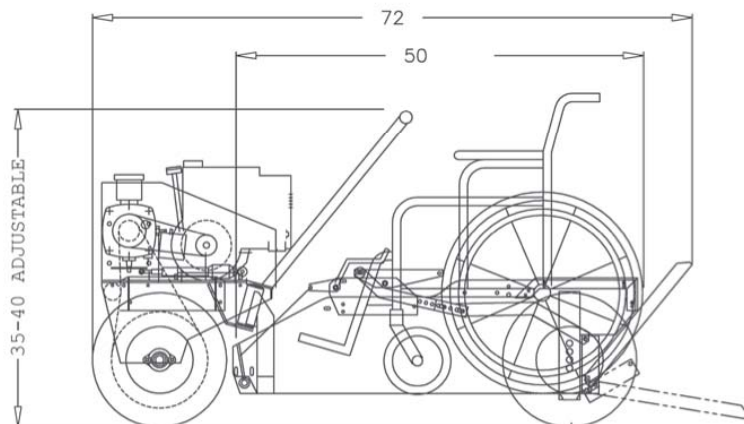
- Four height adjustments:  
Ground clearance from three to six inches
- Lowest adjustment sets ramp at 12 to 1 slope
- Tailgate closes to help lock in wheelchair

Locking the chair down is the responsibility of the buyer. A closed tailgate helps secure your chair. Brackets are included for the front that may be adapted to help secure the chair.

## Specifications

Engine	6.5 HP
Fuel Capacity	3 qts.
Speed	0 - 15 MPH
Height	35 to 40 inches
Overall Length	75 inches
Overall Width (with standard tires)	42.5 inches
Chair compartment Length	50 inches
Chair compartment Width	31 inches
Weight (approximate)	320 lbs
Weight Capacity	400 lbs
Tire - Front	16 x 7.5 x 8
Tires - Rear	15 x 4

All specifications subject to change without notice or obligation



Dealer:



H.E.R.S. Inc.  
1203 South Parker  
Olathe, Kansas 66061  
Phone: 913.764.6718

